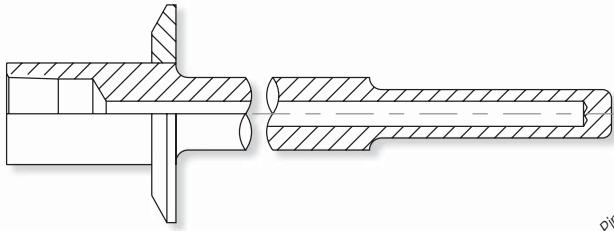


Sanitary Flange Thermowells

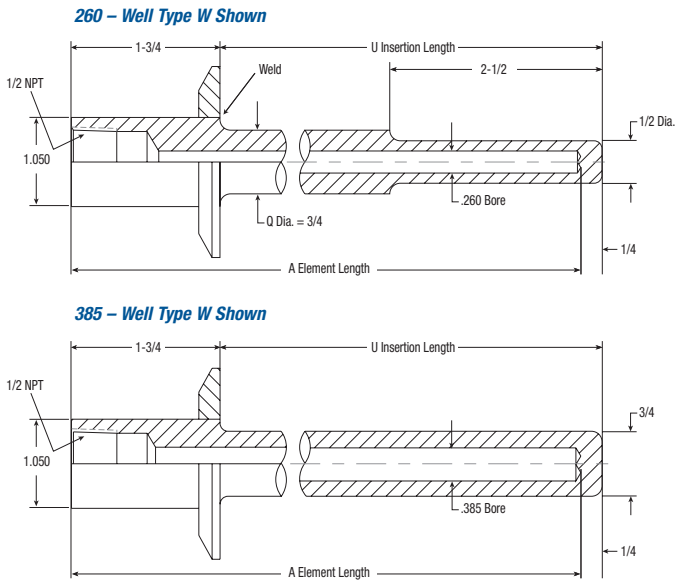


Example: **.75-260W(SFA10/S316)-U 7.50-S316,T=3.50"**

Pipe Size (outside diameter of well) — Bore Diameter — Well Type — Designator for Sanitary Flange Assembly — Sanitary Flange Size — Sanitary Flange Material of Construction — Insertion Length Designator — Insertion Length — Well Material of Construction — Additional Information (e.g., cap and chain, T = Lagging Extension Length if not standard)

Pipe Size	Bore Diameter	Well Type	(SFA)	U	.50	Well Material of Construction	Additional Information
	260 - for 0.250" diameter probes 385 - for 0.375" diameter probes		Sanitary Flange Designator	Sanitary Flange Size (16 AMP)	Sanitary Flange Material	Ins. Length Designator	Insertion Length (2.50" min.)	Well Material of Construction
	.75 (1.050 OD)	W – Socket Weld (straight shank) WH – Heavy Duty Socket Weld (tapered shank) WL – Socket Weld with Lagging Extension (straight shank) WHL – Heavy Duty Socket Weld with Lagging Extension			S316L – 316L stainless steel standard			S304 – Stainless Steel S316L – 316L Stainless Steel
					Note: Other materials are available. Consult factory for details.			Note: Other materials are available. Consult factory for details.
					10 = 1.0" & 1.5"*			
					20 = 2.0"			
					25 = 2.5"			
					30 = 3.0"			
					40 = 4.0"			

Ordering Information



Type Number	Elem. Length A	Insert Length U	Shank Diameter Q
260 Sanitary	U 2-1/2	4	2-1/2
	U 4-1/2	6	4-1/2
	U 7-1/2	9	7-1/2
	U 10-1/2	12	10-1/2
	U 13-1/2	15	13-1/2
	U 16-1/2	18	16-1/2
385 Sanitary	U 2-1/2	4	3/4
	U 4-1/2	6	3/4
	U 7-1/2	9	3/4
	U 10-1/2	12	3/4
	U 13-1/2	15	3/4
	U 16-1/2	18	3/4



For more information call: 1-800-223-2389 • e-mail: conaxbuf@conaxbuffalo.com • visit our website: www.conaxbuffalo.com